

33 845 875



- 552mm projection
- pivotable spout 360°
- air-enriched flow
- height of mixer 372 mm
- height up to aerator 290 mm
- rosette 55 mm
- hole diameter 30 mm
- max. flow 8 l/min at 3 bar flow pressure
- lead-free
- This product can help a building meet the requirements of Green Building Rating Systems, e.g. LEED®, BREEAM®, DGNB

	Chrome	33 845 875-00
	Brushed Platinum	33 845 875-06
	Platinum	33 845 875-08
	Durabross (23kt Gold)	33 845 875-09
	Dark Chrome	33 845 875-19
	Brushed Durabross (23kt Gold)	33 845 875-28
	Brushed Champagne (22kt Gold)	33 845 875-46
	Champagne (22kt Gold)	33 845 875-47
	Brushed Chrome	33 845 875-93
	Brushed Dark Platinum	33 845 875-99

Recommended miscellaneous

Strainer waste with control handle - Chrome 10 710 970-00

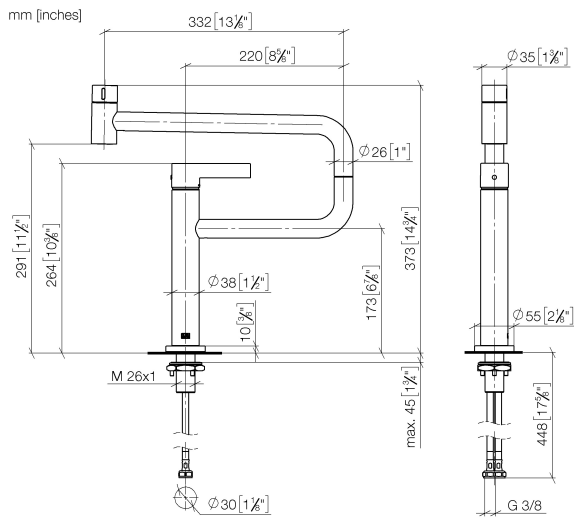


Recommended miscellaneous

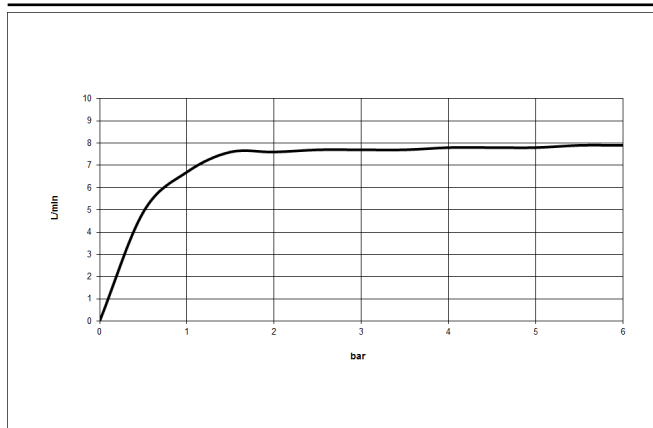
Dispenser with rosette - Chrome 82 444 970-00



33 845 875



Flow rate chart

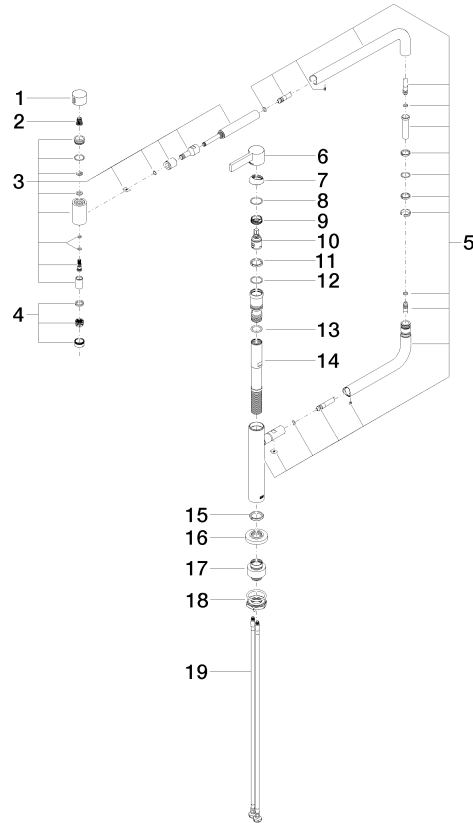


Certificates

LGA_28059.

GDV_0400292.

33 845 875



Spare parts list

No.	Item Number	Name	Quantity used	Delivery time
1	09 20 62 025-00	handle	1	10
2	90 12 12 002 00 90	fixing cap	1	2
3	90 19 87 001 00-00	spout	1	10
4	90 23 01 026 07-00	aerator	1	10
5	90 28 22 257 00-00	joint	1	10
6	90 20 87 004 00-00	handle	1	10
7	09 28 30 013-00	cover	1	10
8	09 14 10 091 90	seal	1	2
9	09 24 04 266 90	nut	1	2
10	90 15 05 042 00 90	cartridge	1	2
11	09 28 10 156 90	ring	1	2
12	90 14 10 063 00 90	seal	1	2
13	09 14 10 081 90	seal	1	2
14	09 30 01 126 90	connection	1	2
15	09 28 10 159 90	ring	1	2
16	09 27 87 033-00	rosette	1	10
17	12 845 970 90	Extension set -	1	2
18	04 30 11 085 87 90	fixing set	1	2
19	04 30 04 101 00 90	hose	2	2